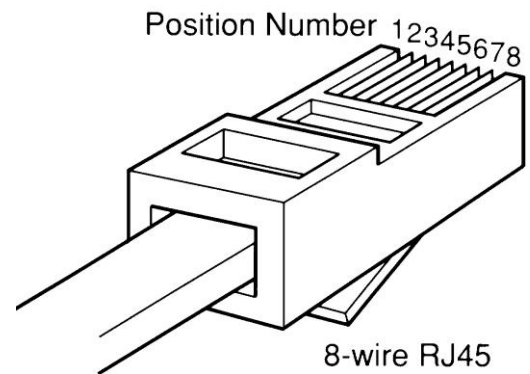


Wiring Info for SPY- and SBE-Adapters with Ethercon

SPY-E1241
SPY-E1242
SPY-E1251
SPY-E1252
SBE-1240
SBE-1244

<i>RJ45 Pin</i>	<i>Colours T568A</i>	<i>XLR Pin</i>
1	gn/ws	Channel 3, Pin 2
2	gn	Channel 3, Pin 3
3	or/ws	Channel 2, Pin 2
4	bl	Channel 1, Pin 2
5	bl/ws	Channel 1, Pin 3
6	or	Channel 2, Pin 3
7	bn/ws	Channel 4, Pin 2
8	bn	Channel 4, Pin 3



- XLR-Pin-No is identical for 3- and 5-pole Systems
- Ethercon shielding on Pin 1 of all XLRs
- XLR-Plug Colour-Code:

Channel 1 = Blue
Channel 2 = Orange
Channel 3 = Green
Channel 4 = Brown

© 2016 by

SOMMER  **CABLE**

www.sommercable.com