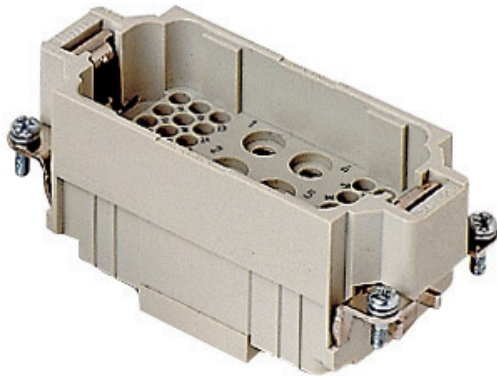




Part number

CXM 6/36



Brief description:

male insert, 6 poles + PE, crimp connections, 40A 690V, (36 poles (10A max - 250V)), 8kV, 3, for male contacts 40A and 10A, size "77.27", CLASS insert series

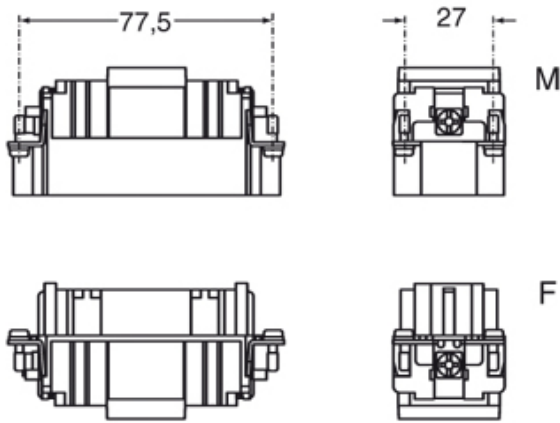
Product description		Approvals / Standards	
Model	male insert	Reference standard	EN 61984:2009-06
Version	crimp connections	Quality mark	 DNV GL, BV, EAC
Series	CX	Conformity	CQC, CE
Product type	for male contacts 40A and 10A	General ordering information	
Family	CLASS inserts	EAN13 code	8015747042710
Size	size "77.27"	ETIM classification	EC000438
N. of poles	6 poles + 	Packaging Information	
Auxiliary poles	36 poles (10 A, 160 V, 2,5 kV, 3)	Packaging length	230,00 mm
Technical data		Packaging height	110,00 mm
Current	40 A	Packaging width	180,00 mm
Voltage	690 V	Packaging weight	2,27 kg
Rated impulse withstand voltage	8 kV	Packaging volume	4,55 dm ³
Pollution degree	3	Packaging description	Carton box
Operating temperature range (min, max)	-40 °C ... +125 °C	Packaging quantity	30 Pcs
Mating cycles	≥ 500	Packaging EAN code	8015747098571
IP degree of protection	IP20 without enclosure, IP65/IP66/IP68/IP69 with enclosure	Sub-packaging length	87,00 mm
Further technical details		Sub-packaging height	36,00 mm
Characteristics according to EN 61984	40A 690V 8kV 3 (aux:10A 160V 2.5kV 3; 10A 250V 4kV 2)	Sub-packaging width	180,00 mm
Insulation resistance	≥ 10 GΩ	Sub-packaging weight	0,38 kg
Rated voltage according to UL/CSA	600 V	Sub-packaging volume	0,56 dm ³
UL 94 flammability rating	V-0	Sub-packaging description	Carton tray
Weight	63,00 g	Sub-packaging quantity	5 Pcs
		Sub-packaging EAN barcode	8015747042727

Part number

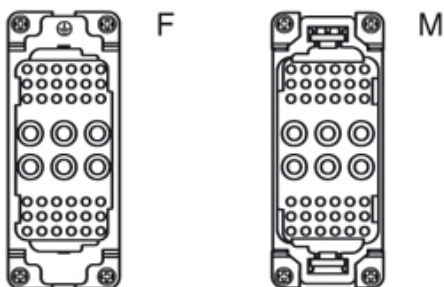
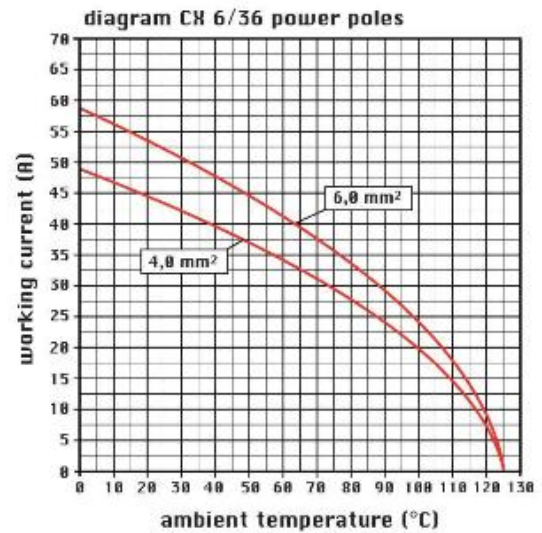
CXM 6/36



Catalogue drawings



Catalogue drawings



Notes

CXF/M 6/36 inserts

- characteristics according to EN 61984:

40A 690V 8kV 3

10A 160V 2,5kV 3

10A 250V 4kV 2

- rated voltage according to UL/CSA: 600V

- insulation resistance: > 10 GOhm

- ambient temperature limit: -40 °C ... +125 °C

- are made of self-extinguishing thermoplastic resin UL 94 V0

- mechanical life: > 500 cycles

- contact resistance: < 0,3 mOhm (6 poles) < 1 mOhm (36 poles)

- PCBs interface, see article CIF 2.4 (10A contacts)

- enclosures: size "77.27":

C-TYPE IP65/IP66

C7 IP67 stainless steel lever

V-TYPE IP65/IP66

stainless steel lever

T-TYPE IP65 insulating

JEI zinc-plated steel lever

BIG hoods

aggressive environments

EMC

central lever

IP68

- panel supports: COB