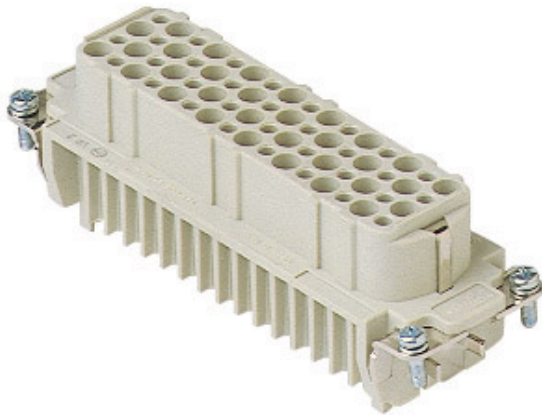


Part number  
**CDF 64**



**Brief description:**

female insert, 64 poles + PE, crimp connections, 10A, 250V, 4kV, 3, size "104.27", CLASS insert series

| Product description                           |  |
|---|--|
| <b>Model</b>                                  | female insert  |
| <b>Version</b>                                | crimp connections  |
| <b>Series</b>                                 | CD   |
| <b>Product type</b>                           | for female contacts 10A                                    |
| <b>Family</b>                                 | CLASS inserts  |
| <b>Size</b>                                   | size "104.27"  |
| <b>N. of poles</b>                            | 64 poles +   |
| Technical data                                |  |
| <b>Current</b>                                | 10 A   |
| <b>Voltage</b>                                | 250 V  |
| <b>Rated impulse withstand voltage</b>        | 4 kV   |
| <b>Pollution degree</b>                       | 3  |
| <b>Operating temperature range (min, max)</b> | -40 °C ... +125 °C   |
| <b>Mating cycles</b>                          | ≥ 500  |
| <b>IP degree of protection</b>                | IP20 without enclosure, IP65/IP66/IP68/IP69 with enclosure |
| <b>PE connection type</b>                     | Screw  |
| <b>PE terminal stripping length</b>           | 7 mm   |
| <b>PE wire cross-section</b>                  | 0,14-2,5 mm <sup>2</sup> ; AWG 26-14                       |
| <b>Tightening torque for PE connection</b>    | M4: 1,2 Nm, 10,6 lb.in (Ph2 or 1,0x5,5mm )                 |
| Further technical details                     |  |
| <b>Characteristics according to EN 61984</b>  | 10A 250V 4kV 3; 10A 230/400V 4kV 2                         |
| <b>Insulation resistance</b>                  | ≥ 10 GΩ  |
| <b>Contact resistance</b>                     | ≤ 3 mΩ   |
| <b>Rated voltage according to UL/CSA</b>      | 600 V  |
| <b>UL 94 flammability rating</b>              | V-0  |
| <b>Conductors stripping length</b>            | 6 - 8 mm   |
| <b>Tightening torque for fixing screws</b>    | M3: 0.5 Nm; 4.4 lb.in (Ph1 or 0.8x4 mm)                    |
| <b>Weight</b>                                 | 80,00 g  |

| Approvals / Standards            |                      |
|----------------------------------|----------------------|
| <b>Reference standard</b>        | EN 61984:2009-06     |
| <b>Quality mark</b>              | DNV-GL, EAC          |
| <b>Conformity</b>                | CQC, CE              |
| General ordering information     |                      |
| <b>EAN13 code</b>                | 8015747014458        |
| <b>ETIM classification</b>       | EC000438             |
| Packaging Information            |                      |
| <b>Packaging length</b>          | 270,00 mm            |
| <b>Packaging height</b>          | 75,00 mm             |
| <b>Packaging width</b>           | 180,00 mm            |
| <b>Packaging weight</b>          | 2,36 kg              |
| <b>Packaging volume</b>          | 3,65 dm <sup>3</sup> |
| <b>Packaging description</b>     | Carton box           |
| <b>Packaging quantity</b>        | 30 Pcs               |
| <b>Packaging EAN code</b>        | 8015747014465        |
| <b>Sub-packaging length</b>      | 113,00 mm            |
| <b>Sub-packaging height</b>      | 36,00 mm             |
| <b>Sub-packaging width</b>       | 180,00 mm            |
| <b>Sub-packaging weight</b>      | 0,39 kg              |
| <b>Sub-packaging volume</b>      | 0,73 dm <sup>3</sup> |
| <b>Sub-packaging description</b> | Carton tray          |
| <b>Sub-packaging quantity</b>    | 5 Pcs                |
| <b>Sub-packaging EAN barcode</b> | 8015747014472        |

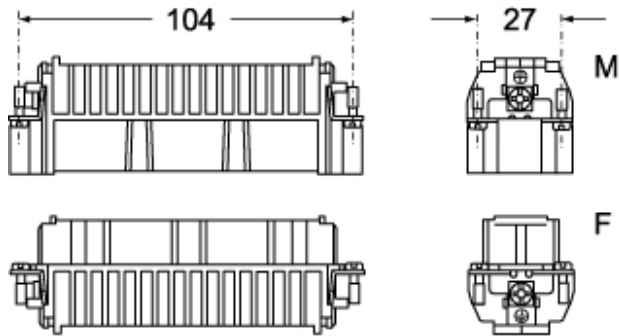
Part number

# CDF 64

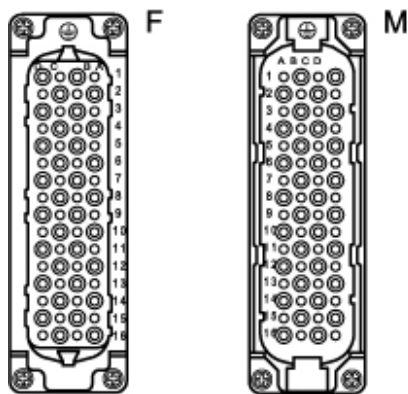


## Catalogue drawings

### CDM 64

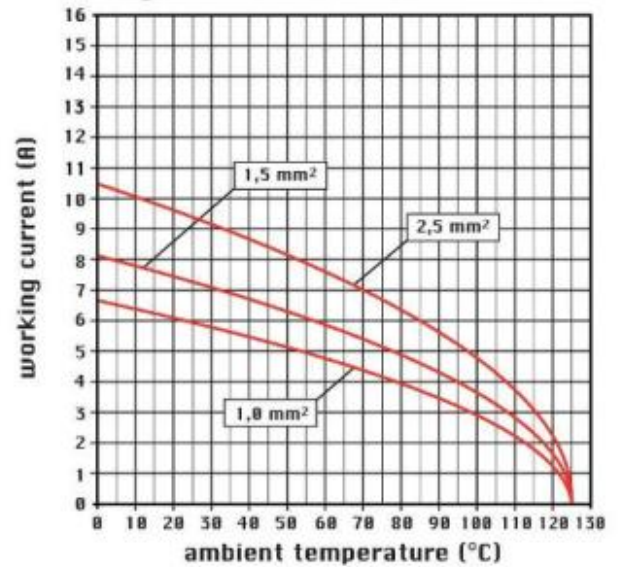


### CDF 64



## Catalogue drawings

diagram CD 64 and 128 poles



## Notes

CDA ... : for non-prepared conductors



CDA ... X : for conductors with bush terminal