

Part number

CSHM 10



Brief description:

male insert, 10 poles + PE, Spring connection contacts SQUICH, 16A, 500V, 6kV, 3, silver plated, size "57.27", CLASS insert series

Product description	
Model	male insert
Version	SQUICH® Spring connection contacts
Series	CSH
Product type	with male contacts
Family	CLASS inserts
Size	size "57.27"
N. of poles	10 poles + \oplus
Technical data	
Current	16 A
Voltage	500 V
Rated impulse withstand voltage	6 kV
Pollution degree	3
Wire cross-section	0,14 mm ² - 2,50 mm ²
AWG size	26 - 14
Operating temperature range (min, max)	-40 °C ... +125 °C
Contact material	silver plated
Mating cycles	≥ 500
IP degree of protection	IP20 without enclosure, IP65/IP66/IP68/IP69 with enclosure
Further technical details	
Characteristics according to EN 61984	16A 500V 6kV 3; 16A 400/690V 6kV 2
Insulation resistance	≥ 10 GΩ
Contact resistance	≤ 3 mΩ
Rated voltage according to UL/CSA	600 V
UL 94 flammability rating	V-0
Conductors stripping length	9...11 mm
Weight	64,00 g

Approvals / Standards	
Reference standard	EN 61984:2009-06
Quality mark	DNV-GL, EAC
Conformity	CQC, CE
General ordering information	
EAN13 code	8015747054003
ETIM classification	EC000438
Packaging Information	
Packaging length	245,00 mm
Packaging height	165,00 mm
Packaging width	215,00 mm
Packaging weight	2,42 kg
Packaging volume	8,69 dm ³
Packaging description	Carton box
Packaging quantity	30 Pcs
Packaging EAN code	8015747170741
Sub-packaging length	197,00 mm
Sub-packaging height	44,00 mm
Sub-packaging width	113,00 mm
Sub-packaging weight	0,40 kg
Sub-packaging volume	0,98 dm ³
Sub-packaging description	Carton tray
Sub-packaging quantity	5 Pcs
Sub-packaging EAN barcode	8015747170758

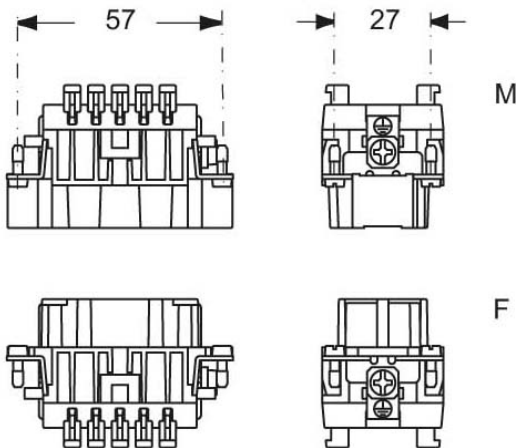
Part number CSHM 10



Catalogue drawings

Catalogue drawings

dimensions in mm



contacts side (front view)

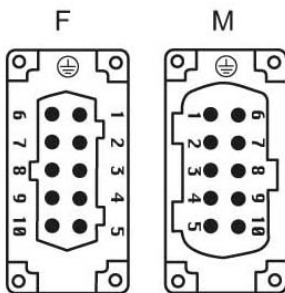
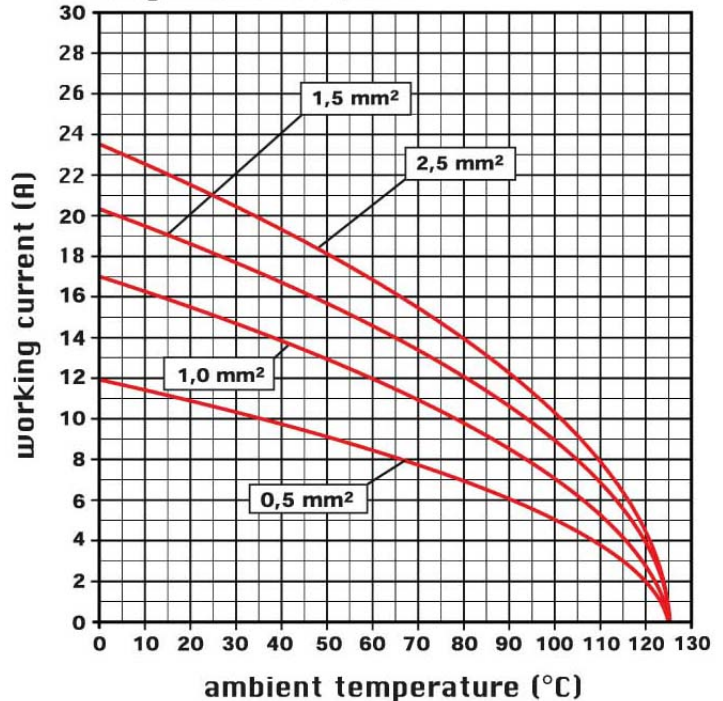


diagram CSH 10 poles



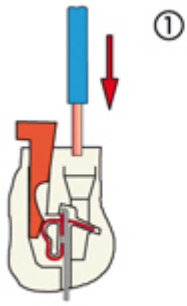
Notes

CSHF/M 10

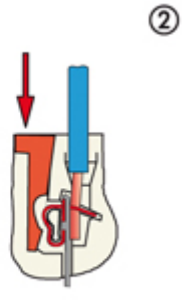
- characteristics according to EN 61984:
- 16A 500V 6kV 3
- 16A 400/690V 6kV 2
- rated voltage according to UL/CSA: 600V
- insulation resistance: > 10 GOhm
- ambient temperature limit: -40 °C ... +125 °C
- are made of self-extinguishing thermoplastic resin UL 94 V0
- mechanical life: > 500 cycles
- contact resistance: < 3 mOhm
- enclosures: size "57.27":
- C-TYPE IP65/IP66
- C7 IP67 stainless steel lever
- V-TYPE IP65/IP66
- stainless steel lever
- T-TYPE IP65 insulating
- JEI zinc-plated steel lever

- BIG hoods
- W-TYPE aggressive environments
- EMC
- central lever
- IP68
- panel supports:
- COB

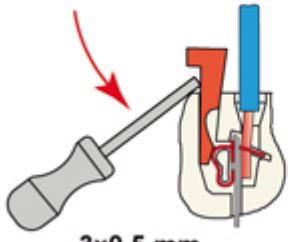
SQUICH® connection with actuator button



①



②



3x0,5 mm

Reopening
