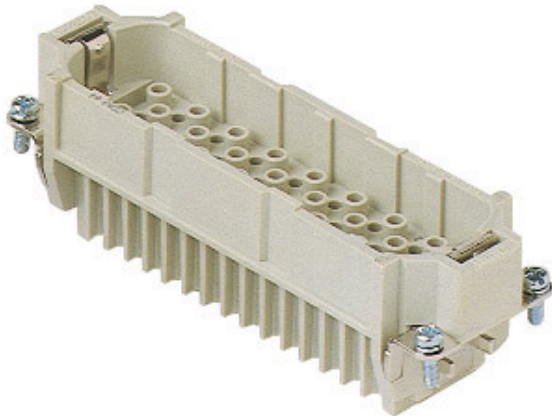


Part number

# CDM 64



## Brief description:

male insert, 64 poles + PE, crimp connections, 10A, 250V, 4kV, 3, size "104.27", CLASS insert series

Product description		Approvals / Standards	
<b>Model</b>	male insert	<b>Reference standard</b>	EN 61984:2009-06
<b>Version</b>	crimp connections	<b>Quality mark</b>	DNV-GL, EAC
<b>Series</b>	CD	<b>Conformity</b>	CQC, CE
<b>Product type</b>	for male contacts 10A	General ordering information	
<b>Family</b>	CLASS inserts	<b>EAN13 code</b>	8015747015172
<b>Size</b>	size "104.27"	<b>ETIM classification</b>	EC000438
<b>N. of poles</b>	64 poles +	Packaging Information	
Technical data		<b>Packaging length</b>	270,00 mm
<b>Current</b>	10 A	<b>Packaging height</b>	75,00 mm
<b>Voltage</b>	250 V	<b>Packaging width</b>	180,00 mm
<b>Rated impulse withstand voltage</b>	4 kV	<b>Packaging weight</b>	2,45 kg
<b>Pollution degree</b>	3	<b>Packaging volume</b>	3,65 dm <sup>3</sup>
<b>Operating temperature range (min, max)</b>	-40 °C ... +125 °C	<b>Packaging description</b>	Carton box
<b>Mating cycles</b>	≥ 500	<b>Packaging quantity</b>	30 Pcs
<b>IP degree of protection</b>	IP20 without enclosure, IP65/IP66/IP68/IP69 with enclosure	<b>Packaging EAN code</b>	8015747015189
<b>PE connection type</b>	Screw	<b>Sub-packaging length</b>	113,00 mm
<b>PE terminal stripping length</b>	7 mm	<b>Sub-packaging height</b>	36,00 mm
<b>PE wire cross-section</b>	0,14-2,5 mm <sup>2</sup> ; AWG 26-14	<b>Sub-packaging width</b>	180,00 mm
<b>Tightening torque for PE connection</b>	M4: 1,2 Nm, 10,6 lb.in (Ph2 or 1,0x5,5mm )	<b>Sub-packaging weight</b>	0,41 kg
Further technical details		<b>Sub-packaging volume</b>	0,73 dm <sup>3</sup>
<b>Characteristics according to EN 61984</b>	10A 250V 4kV 3; 10A 230/400V 4kV 2	<b>Sub-packaging description</b>	Carton tray
<b>Insulation resistance</b>	≥ 10 GΩ	<b>Sub-packaging quantity</b>	5 Pcs
<b>Contact resistance</b>	≤ 3 mΩ	<b>Sub-packaging EAN barcode</b>	8015747015196
<b>Rated voltage according to UL/CSA</b>	600 V		
<b>UL 94 flammability rating</b>	V-0		
<b>Conductors stripping length</b>	6 - 8 mm		
<b>Tightening torque for fixing screws</b>	M3: 0.5 Nm; 4.4 lb.in (Ph1 or 0.8x4 mm)		
<b>Weight</b>	76,00 g		

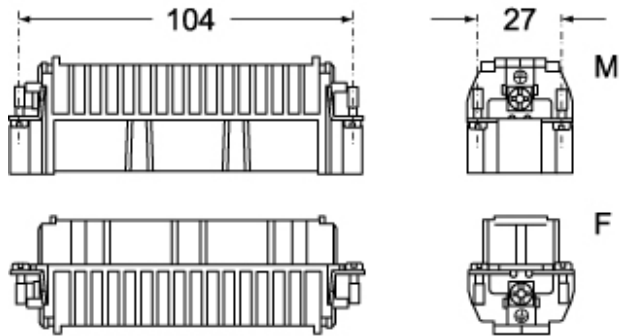
Part number

# CDM 64

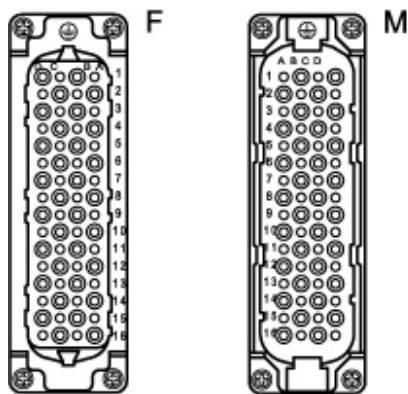


## Catalogue drawings

### CDM 64

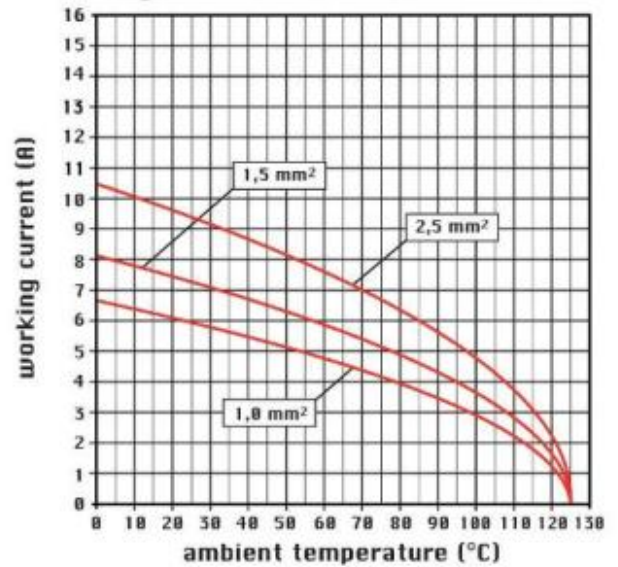


### CDF 64



## Catalogue drawings

diagram CD 64 and 128 poles



## Notes

CDA ... : for non-prepared conductors



CDA ... X : for conductors with bush terminal