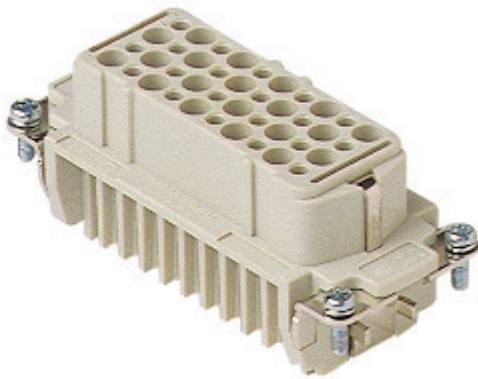


Part number

CDF 40



Brief description:

female insert, 40 poles + PE, crimp connections, 10A, 250V, 4kV, 3, size "77.27", CLASS insert series

Product description		Approvals / Standards	
Model	female insert	Reference standard	EN 61984:2009-06
Version	crimp connections	Quality mark	DNV-GL, EAC
Series	CD	Conformity	CQC, CE
Product type	for female contacts 10A	General ordering information	
Family	CLASS inserts	EAN13 code	8015747014427
Size	size "77.27"	ETIM classification	EC000438
N. of poles	40 poles +	Packaging Information	
Technical data		Packaging length	230,00 mm
Current	10 A	Packaging height	110,00 mm
Voltage	250 V	Packaging width	180,00 mm
Rated impulse withstand voltage	4 kV	Packaging weight	1,23 kg
Pollution degree	3	Packaging volume	4,55 dm ³
Operating temperature range (min, max)	-40 °C ... +125 °C	Packaging description	Carton box
Mating cycles	≥ 500	Packaging quantity	30 Pcs
IP degree of protection	IP20 without enclosure, IP65/IP66/IP68/IP69 with enclosure	Packaging EAN code	8015747014434
PE connection type	Screw	Sub-packaging length	87,00 mm
PE terminal stripping length	7 mm	Sub-packaging height	36,00 mm
PE wire cross-section	0,14-2,5 mm ² ; AWG 26-14	Sub-packaging width	180,00 mm
Tightening torque for PE connection	M4: 1,2 Nm, 10,6 lb.in (Ph2 or 1,0x5,5mm)	Sub-packaging weight	0,21 kg
Further technical details		Sub-packaging volume	0,56 dm ³
Characteristics according to EN 61984	10A 250V 4kV 3; 10A 230/400V 4kV 2	Sub-packaging description	Carton tray
Insulation resistance	≥ 10 GΩ	Sub-packaging quantity	5 Pcs
Contact resistance	≤ 3 mΩ	Sub-packaging EAN barcode	8015747014441
Rated voltage according to UL/CSA	600 V		
UL 94 flammability rating	V-0		
Conductors stripping length	6 - 8 mm		
Tightening torque for fixing screws	M3: 0.5 Nm; 4.4 lb.in (Ph1 or 0.8x4 mm)		
Weight	62,00 g		

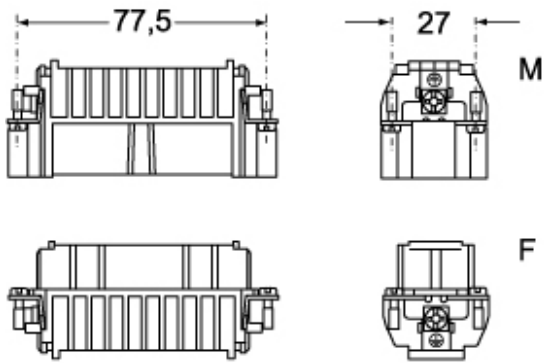
Part number

CDF 40

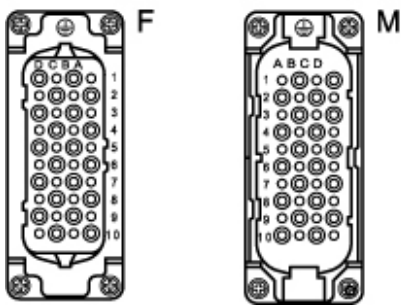


Catalogue drawings

CDM 40

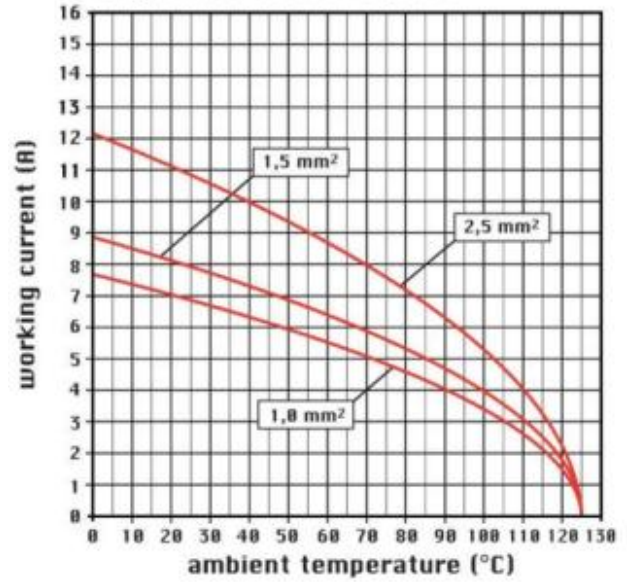


CDF 40



Catalogue drawings

diagram CD 40 and 80 poles



Notes

CDA ... : for non-prepared conductors



CDA ... X : for conductors with bush terminal