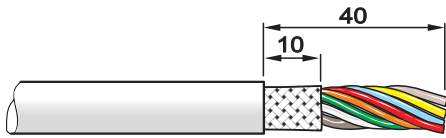




ASSEMBLY INSTRUCTION

etherCON | Ruggedized RJ45 Data Connector Chassis type with cable termination

(A)



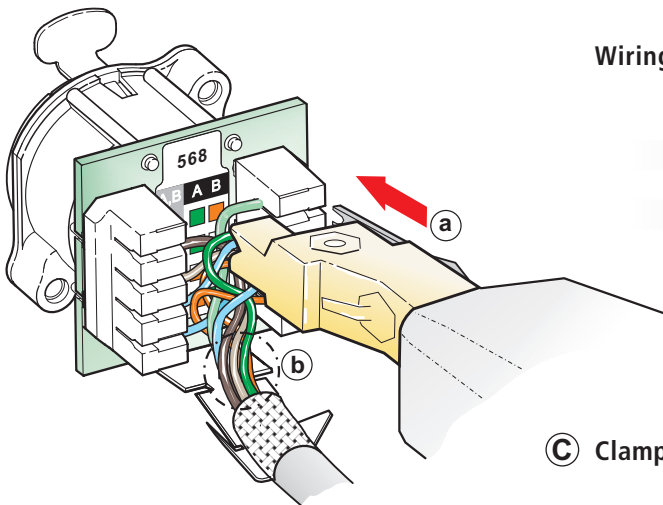
(A) Strip cable according to figure.

(B) (a) Terminate the wires with proper punch-down tool.

- Krone tool for NE8FAV-YK
- 110-tool for NE8FAV-Y110

(b) Take care that the untwisting of pairs does not exceed 13 mm.

(B)



Wiring:

568		568	
#	A B	A B	#
7	Br Or	Gr Br	2
8	Br	Wi/Gr	1
5	Wi/Bl	Wi/Or	3
4	Bl	Or	6

TIA 568A

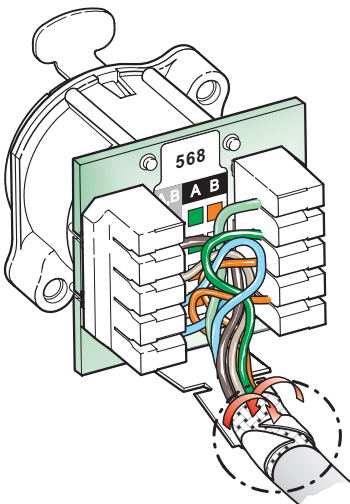
TIA 568B

TIA 568A		TIA 568B	
Wi/Br	Gr	Wi/Br	Or
Br	Wi/Gr	Br	Wi/Or
Wi/Bl	Wi/Or	Wi/Bl	Wi/Gr
Bl	Or	Bl	Gn

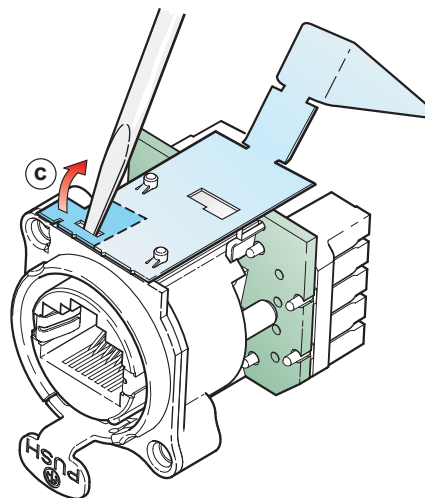
(C) Clamp cable shield onto shield plate.

(D) For isolated applications (no connection between shield and front panel) please remove precut piece (c).

(C)



(D)



NEUTRIK AG
NEUTRIK Zürich AG
NEUTRIK USA Inc.
NEUTRIK (UK) Ltd.

LI T: +423 / 237 24 24 F: +423 / 232 53 93
CH T: +41 44 / 736 5010 F: +41 44 / 736 5011
USA T: +1 732 / 901 9488 F: +1 732 / 901 9608
UK T: +44 1983 / 811 441 F: +44 1983 / 811 439

NEUTRIK Vertriebs GmbH
NEUTRIK France
NEUTRIK Tokyo Ltd.
NEUTRIK Hong Kong Ltd.

DE/NL/AT T: +49 8131 / 280 890 F: +49 8131 / 280 830
FR T: +33 1 / 4131 6750 F: +33 1 / 4131 0511
JP T: +81 3 / 3663 4733 F: +81 3 / 3663 4796
HK T: +852 / 2687 6055 F: +852 / 2687 6052