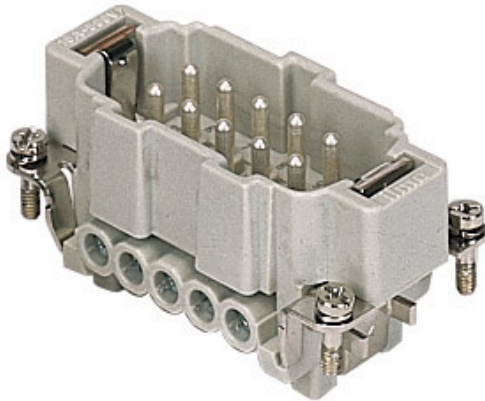



Part number


# CNEM 10 T



## Brief description:

male insert, 10 poles + PE, screw terminal connections, 16A, 500V, 6kV, 3, silver plated, size "57.27", CLASS insert series

Product description	
<b>Model</b>	male insert
<b>Version</b>	screw terminal connections
<b>Series</b>	CNE
<b>Product type</b>	with male contacts
<b>Variant</b>	with plate
<b>Family</b>	CLASS inserts
<b>Size</b>	size "57.27"
<b>N. of poles</b>	10 poles + 
Technical data	
<b>Current</b>	16 A
<b>Voltage</b>	500 V
<b>Rated impulse withstand voltage</b>	6 kV
<b>Pollution degree</b>	3
<b>Wire cross-section</b>	0,50 mm <sup>2</sup> - 4,00 mm <sup>2</sup>
<b>AWG size</b>	20 - 12
<b>Operating temperature range (min, max)</b>	-40 °C ... +125 °C
<b>Contact material</b>	silver plated
<b>Mating cycles</b>	≥ 500
<b>IP degree of protection</b>	IP20 without enclosure, IP65/IP66/IP68/IP69 with enclosure
<b>PE terminal stripping length</b>	7 mm
<b>PE wire cross-section</b>	0,14 - 4 mm <sup>2</sup> ; AWG 20 - 12
Further technical details	
<b>Characteristics according to EN 61984</b>	16A 500V 6kV 3; 16A 400/690V 6kV 2
<b>Insulation resistance</b>	≥ 10 GΩ
<b>Contact resistance</b>	≤ 1 mΩ
<b>Rated voltage according to UL/CSA</b>	600 V
<b>UL 94 flammability rating</b>	V-0
<b>Conductors stripping length</b>	7 mm
<b>Torque for main contact</b>	M3: 0,5 Nm; 4,4 lb.in (Ph0 or 0,8 x 4 mm)
<b>Weight</b>	62,00 g

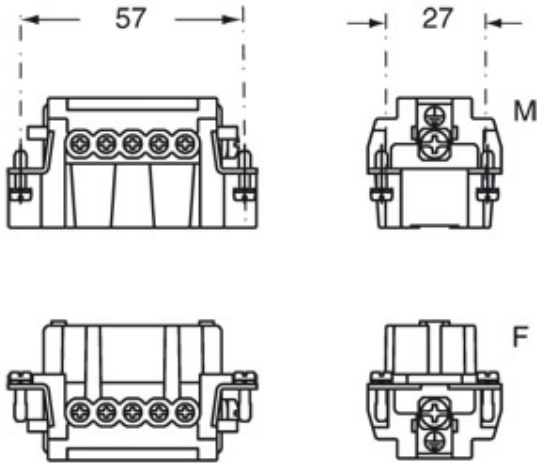
Approvals / Standards	
<b>Reference standard</b>	EN 61984:2009-06
<b>Quality mark</b>	 DNV-GL, EAC
<b>Conformity</b>	CQC, CE
General ordering information	
<b>EAN13 code</b>	8015747032919
<b>ETIM classification</b>	EC000438
Packaging Information	
<b>Packaging length</b>	210,00 mm
<b>Packaging height</b>	75,00 mm
<b>Packaging width</b>	180,00 mm
<b>Packaging weight</b>	2,10 kg
<b>Packaging volume</b>	2,84 dm <sup>3</sup>
<b>Packaging description</b>	Carton box
<b>Packaging quantity</b>	30 Pcs
<b>Packaging EAN code</b>	8015747032926
<b>Sub-packaging length</b>	67,00 mm
<b>Sub-packaging height</b>	36,00 mm
<b>Sub-packaging width</b>	180,00 mm
<b>Sub-packaging weight</b>	0,35 kg
<b>Sub-packaging volume</b>	0,43 dm <sup>3</sup>
<b>Sub-packaging description</b>	Carton tray
<b>Sub-packaging quantity</b>	5 Pcs
<b>Sub-packaging EAN barcode</b>	8015747032933

Part number

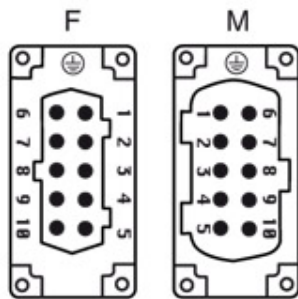
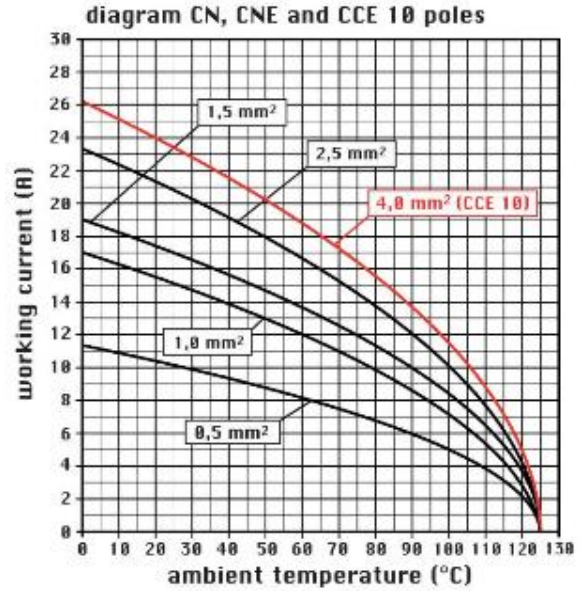
# CNEM 10 T



Catalogue drawings



Catalogue drawings



## Notes

CNE ... : for non-prepared conductors

CNE ... X : for conductors with bush terminal

