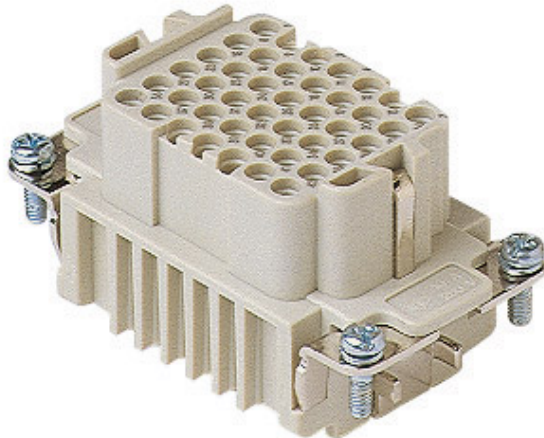




Part number  
**CDDF 42**



**Brief description:**

female insert, 42 poles + PE, crimp connections, 10A 250V, 4kV, 2, size "57.27", CLASS insert series

<b>Product description</b>		<b>Approvals / Standards</b>	
<b>Model</b>	female insert	<b>Reference standard</b>	EN 61984:2009-06
<b>Version</b>	crimp connections	<b>Quality mark</b>	 DNV-GL, EAC
<b>Series</b>	CDD	<b>Conformity</b>	CQC, CE
<b>Product type</b>	for female contacts 10A	<b>General ordering information</b>	
<b>Family</b>	CLASS inserts	<b>EAN13 code</b>	8015747013772
<b>Size</b>	size "57.27"	<b>ETIM classification</b>	EC000438
<b>N. of poles</b>	42 poles + 	<b>Packaging Information</b>	
<b>Technical data</b>		<b>Packaging length</b>	210,00 mm
<b>Current</b>	10 A	<b>Packaging height</b>	75,00 mm
<b>Voltage</b>	250 V	<b>Packaging width</b>	180,00 mm
<b>Rated impulse withstand voltage</b>	4 kV	<b>Packaging weight</b>	1,19 kg
<b>Pollution degree</b>	2	<b>Packaging volume</b>	2,84 dm <sup>3</sup>
<b>Operating temperature range (min, max)</b>	-40 °C ... +125 °C	<b>Packaging description</b>	Carton box
<b>Mating cycles</b>	≥ 500	<b>Packaging quantity</b>	30 Pcs
<b>IP degree of protection</b>	IP20 without enclosure, IP65/IP66/IP68/IP69 with enclosure	<b>Packaging EAN code</b>	8015747013789
<b>PE connection type</b>	Screw	<b>Sub-packaging length</b>	67,00 mm
<b>PE terminal stripping length</b>	7 mm	<b>Sub-packaging height</b>	36,00 mm
<b>PE wire cross-section</b>	0,14 - 4 mm <sup>2</sup> ; AWG 20 - 12	<b>Sub-packaging width</b>	180,00 mm
<b>Tightening torque for PE connection</b>	M4: 1,2 Nm, 10,6 lb.in (Ph2 or 1,0x5,5mm )	<b>Sub-packaging weight</b>	0,20 kg
<b>Further technical details</b>		<b>Sub-packaging volume</b>	0,43 dm <sup>3</sup>
<b>Characteristics according to EN 61984</b>	10A 250V 4kV 2	<b>Sub-packaging description</b>	Carton tray
<b>Insulation resistance</b>	≥ 10 GΩ	<b>Sub-packaging quantity</b>	5 Pcs
<b>Contact resistance</b>	≤ 3 mΩ	<b>Sub-packaging EAN barcode</b>	8015747013796
<b>Rated voltage according to UL/CSA</b>	600 V		
<b>UL 94 flammability rating</b>	V-0		
<b>Tightening torque for fixing screws</b>	M3: 0.5 Nm; 4.4 lb.in (Ph1 or 0.8x4 mm)		
<b>Weight</b>	50,00 g		

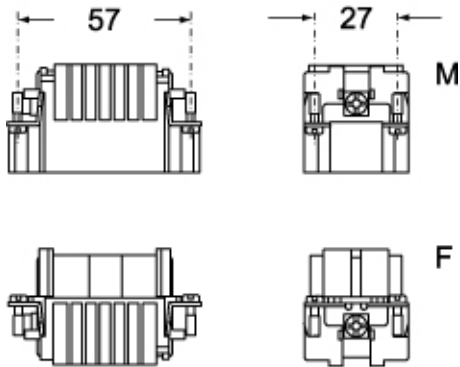
Part number

# CDDF 42

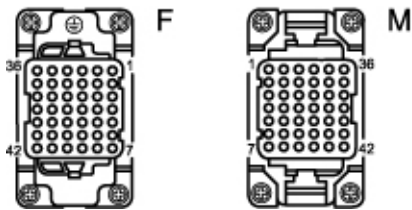


Catalogue drawings

## CDDM 42



## CDDF 42



Catalogue drawings

