

Part number

# CNEF 10 T



## Brief description:

female insert, 10 poles + PE, screw terminal connections, 16A, 500V, 6kV, 3, silver plated, size "57.27", CLASS insert series

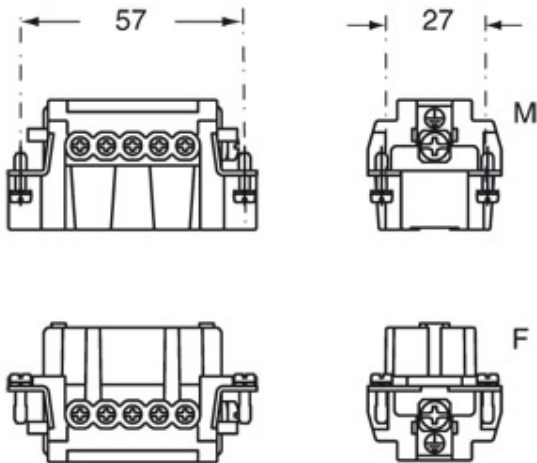
Product description		Approvals / Standards	
<b>Model</b>	female insert	<b>Reference standard</b>	EN 61984:2009-06
<b>Version</b>	screw terminal connections	<b>Quality mark</b>	DNV-GL, EAC
<b>Series</b>	CNE	<b>Conformity</b>	CQC, CE
<b>Product type</b>	with female contacts	<b>General ordering information</b>	
<b>Variant</b>	with plate	<b>EAN13 code</b>	8015747032193
<b>Family</b>	CLASS inserts	<b>ETIM classification</b>	EC000438
<b>Size</b>	size "57.27"	<b>Packaging Information</b>	
<b>N. of poles</b>	10 poles +	<b>Packaging length</b>	210,00 mm
<b>Technical data</b>		<b>Packaging height</b>	75,00 mm
<b>Current</b>	16 A	<b>Packaging width</b>	180,00 mm
<b>Voltage</b>	500 V	<b>Packaging weight</b>	2,14 kg
<b>Rated impulse withstand voltage</b>	6 kV	<b>Packaging volume</b>	2,84 dm <sup>3</sup>
<b>Pollution degree</b>	3	<b>Packaging description</b>	Carton box
<b>Wire cross-section</b>	0,50 mm <sup>2</sup> - 4,00 mm <sup>2</sup>	<b>Packaging quantity</b>	30 Pcs
<b>AWG size</b>	20 - 12	<b>Packaging EAN code</b>	8015747032209
<b>Operating temperature range (min, max)</b>	-40 °C ... +125 °C	<b>Sub-packaging length</b>	67,00 mm
<b>Contact material</b>	silver plated	<b>Sub-packaging height</b>	36,00 mm
<b>Mating cycles</b>	≥ 500	<b>Sub-packaging width</b>	180,00 mm
<b>IP degree of protection</b>	IP20 without enclosure, IP65/IP66/IP68/IP69 with enclosure	<b>Sub-packaging weight</b>	0,36 kg
<b>PE connection type</b>	Screw	<b>Sub-packaging volume</b>	0,43 dm <sup>3</sup>
<b>PE terminal stripping length</b>	7 mm	<b>Sub-packaging description</b>	Carton tray
<b>PE wire cross-section</b>	0,14 - 4 mm <sup>2</sup> ; AWG 20 - 12	<b>Sub-packaging quantity</b>	5 Pcs
<b>Tightening torque for PE connection</b>	M3: 0,5 Nm; 4,4 lb.in (0,5x3mm )	<b>Sub-packaging EAN barcode</b>	8015747032216
<b>Further technical details</b>			
<b>Characteristics according to EN 61984</b>	16A 500V 6kV 3; 16A 400/690V 6kV 2		
<b>Insulation resistance</b>	≥ 10 GΩ		
<b>Contact resistance</b>	≤ 1 mΩ		
<b>Rated voltage according to UL/CSA</b>	600 V		
<b>UL 94 flammability rating</b>	V-0		
<b>Conductors stripping length</b>	7 mm		
<b>Torque for main contact</b>	M3: 0,5 Nm; 4,4 lb.in (Ph0 or 0,8 x 4 mm)		
<b>Tightening torque for fixing screws</b>	M3: 0.5 Nm; 4.4 lb.in (0.5x3 mm)		
<b>Weight</b>	62,50 g		

Part number

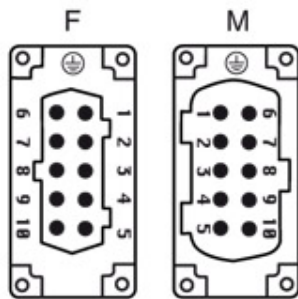
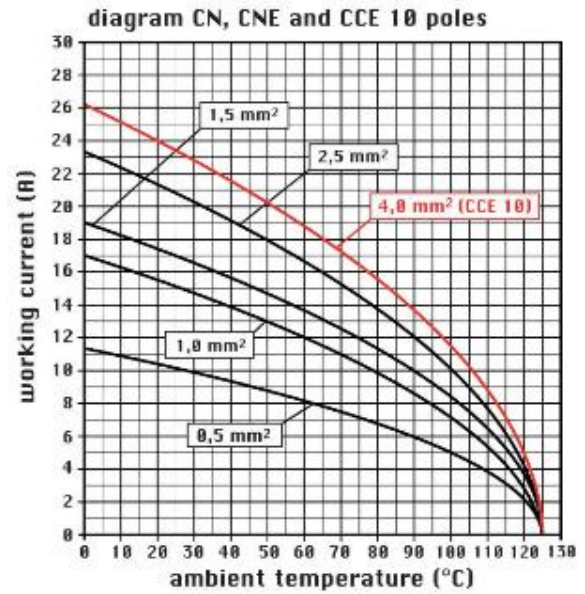
# CNEF 10 T



Catalogue drawings



Catalogue drawings



## Notes

CNE ... : for non-prepared conductors

CNE ... X : for conductors with bush terminal

