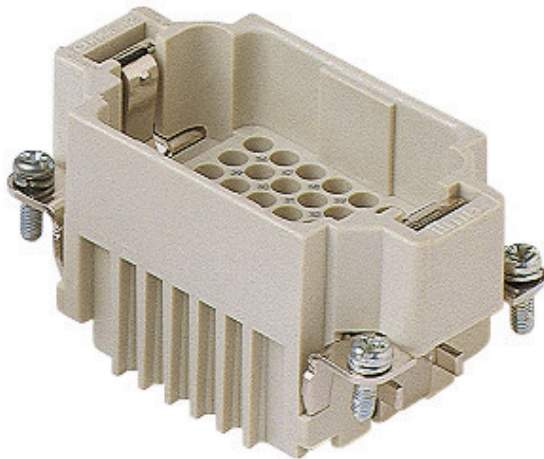




Part number

CDDM 42



Brief description:

male insert, 42 poles + PE, crimp connections, 10A 250V, 4kV, 2, size "57.27", CLASS insert series

Product description		Approvals / Standards	
Model	male insert	Reference standard	EN 61984:2009-06
Version	crimp connections	Quality mark	 DNV-GL, EAC
Series	CDD	Conformity	CQC, CE
Product type	for male contacts 10A	General ordering information	
Family	CLASS inserts	EAN13 code	8015747014113
Size	size "57.27"	ETIM classification	EC000438
N. of poles	42 poles + 	Packaging Information	
Technical data		Packaging length	210,00 mm
Current	10 A	Packaging height	75,00 mm
Voltage	250 V	Packaging width	180,00 mm
Rated impulse withstand voltage	4 kV	Packaging weight	1,81 kg
Pollution degree	2	Packaging volume	2,84 dm ³
Operating temperature range (min, max)	-40 °C ... +125 °C	Packaging description	Carton box
Mating cycles	≥ 500	Packaging quantity	30 Pcs
IP degree of protection	IP20 without enclosure, IP65/IP66/IP68/IP69 with enclosure	Packaging EAN code	8015747014120
PE connection type	Screw	Sub-packaging length	67,00 mm
PE terminal stripping length	7 mm	Sub-packaging height	36,00 mm
PE wire cross-section	0,14 - 4 mm ² ; AWG 20 - 12	Sub-packaging width	180,00 mm
Tightening torque for PE connection	M4: 1,2 Nm, 10,6 lb.in (Ph2 or 1,0x5,5mm)	Sub-packaging weight	0,30 kg
Further technical details		Sub-packaging volume	0,43 dm ³
Characteristics according to EN 61984	10A 250V 4kV 2	Sub-packaging description	Carton tray
Insulation resistance	≥ 10 GΩ	Sub-packaging quantity	5 Pcs
Contact resistance	≤ 3 mΩ	Sub-packaging EAN barcode	8015747014137
Rated voltage according to UL/CSA	600 V		
UL 94 flammability rating	V-0		
Tightening torque for fixing screws	M3: 0.5 Nm; 4.4 lb.in (Ph1 or 0.8x4 mm)		
Weight	46,50 g		

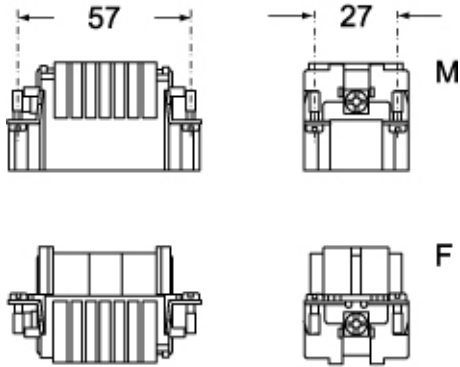
Part number

CDDM 42

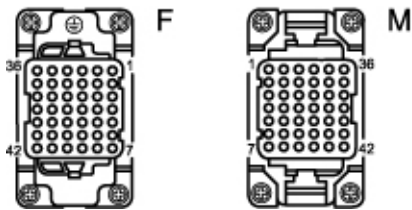


Catalogue drawings

CDDM 42



CDDF 42



Catalogue drawings

diagram CDD 42 poles

